

# MGate 5111 Series

## 1-port Modbus/PROFINET/EtherNet/IP to PROFIBUS slave gateways



### Features and Benefits

- Converts Modbus, PROFINET, or EtherNet/IP to PROFIBUS
- Supports PROFIBUS DP V0 slave
- Supports Modbus RTU/ASCII/TCP master/client and slave/server
- Supports EtherNet/IP Adapter
- Supports PROFINET IO device
- Effortless configuration via web-based wizard
- Built-in Ethernet cascading for easy wiring
- Embedded traffic monitoring/diagnostic information for easy troubleshooting
- Status monitoring and fault protection for easy maintenance
- microSD card for configuration backup/duplication and event logs
- Supports redundant dual DC power inputs and 1 relay output
- Serial port with 2 kV isolation protection
- -40 to 75°C wide operating temperature models available
- Security features based on IEC 62443

### Certifications



## Introduction

MGate 5111 industrial Ethernet gateways convert data from Modbus RTU/ASCII/TCP, EtherNet/IP, or PROFINET to PROFIBUS protocols. All models are protected by a rugged metal housing, are DIN-rail mountable, and offer built-in serial isolation.

Modbus is one of the most widely used industrial communication protocols, and EtherNet/IP, PROFINET, and PROFIBUS are commonly used in factory automation and process automation. The MGate 5111 supports both Modbus RTU/ASCII/TCP master and slave modes, so that you can easily connect your Modbus device to PROFIBUS PLCs or DCSs, such as Siemens PLCs.

For system integration, the MGate 5111 can connect to EtherNet/IP PLC/SCADA systems, such as Rockwell Automation PLCs, to PROFIBUS PLC/DCS systems, or between a new Siemens PLC system that supports PROFINET to an existing PROFIBUS system. The MGate 5111 gateways are designed for easy configuration and quick maintenance. A handy web console can be used to implement remote maintenance tasks, and the configuration wizard UI lets you quickly set up your gateway. A comprehensive collection of troubleshooting tools reduce configuration time and system downtime. The rugged design is suitable for industrial applications, such as factory automation, power, oil and gas, water and wastewater, and other process automation industries.

## Easy Configuration

The MGate 5111 Series has a user-friendly interface that lets you quickly set up protocol conversion routines for most applications, doing away with what were often time-consuming tasks in which users had to implement detailed parameter configurations one by one. With Quick Setup, you can easily access protocol conversion modes and finish the configuration in a few steps.

The MGate 5111 supports a web console and Telnet console for remote maintenance. Encryption communication functions, including HTTPS and SSH, are supported to provide better network security. In addition, system monitoring functions are provided to record network connections and system log events.

## A Variety of Maintenance Functions

The MGate 5111 supports Protocol Diagnose and Traffic Monitor for easy troubleshooting, especially during the installation stage. Communication issues caused by incorrect software parameters, such as slave IDs and register addresses, or incorrect command configurations, can be fished out with Protocol Diagnose and Traffic Monitoring, which let you capture and check data to easily identify root causes.

MGate 5111 gateways also support status monitoring and fault protection functions. The status monitoring function notifies a PLC/DCS/SCADA system when a Modbus device gets disconnected or does not respond, in which case the process PLC/DCS gets the status of each end device and then issues alarms to notify operators. When a PROFIBUS cable gets disconnected, the fault protection function executes actions on end devices identified by a predefined value set by the user.

## Specifications

### Ethernet Interface

10/100BaseT(X) Ports (RJ45 connector)	2 Auto MDI/MDI-X connection
Magnetic Isolation Protection	1.5 kV (built-in)

### Ethernet Software Features

Industrial Protocols	Modbus TCP Client (Master) Modbus TCP Server (Slave) PROFINET IO Device EtherNet/IP Adapter
Configuration Options	Web Console (HTTP/HTTPS) Device Search Utility (DSU) Telnet Console
Management	ARP DHCP Client DNS HTTP HTTPS SMTP SNMP Trap SNMPv1/v2c/v3 TCP/IP Telnet SSH UDP NTP Client
MIB	RFC1213, RFC1317
Time Management	NTP Client

### Serial Interface

Console Port	RS-232 (TxD, RxD, GND), 8-pin RJ45 (115200, n, 8, 1)
No. of Ports	1
Connector	DB9 male
Serial Standards	RS-232/422/485
Baudrate	50 bps to 921.6 kbps
Data Bits	7, 8
Parity	None Even Odd Space Mark
Stop Bits	1, 2
Flow Control	RTS Toggle (RS-232 only) RTS/CTS
RS-485 Data Direction Control	Automatic Data Direction Control (ADDC)
Pull High/Low Resistor for RS-485	1 kilo-ohm, 150 kilo-ohms
Terminator for RS-485	120 ohms
Isolation	2 kV (built-in)

## Serial Signals

RS-232	TxD, RxD, RTS, CTS, DTR, DSR, DCD, GND
RS-422	Tx+, Tx-, Rx+, Rx-, GND
RS-485-2w	Data+, Data-, GND
RS-485-4w	Tx+, Tx-, Rx+, Rx-, GND

## Serial Software Features

Configuration Options	Serial Console
Industrial Protocols	PROFIBUS DP-V0 Slave Modbus RTU/ASCII Master Modbus RTU/ASCII Slave

## Modbus RTU/ASCII

Mode	Master, Slave
Functions Supported	1, 2, 3, 4, 5, 6, 15, 16, 23
Max. No. of Commands	128
Input Data Size	2048 bytes
Output Data Size	2048 bytes

## Modbus TCP

Mode	Client (Master), Server (Slave)
Functions Supported	1, 2, 3, 4, 5, 6, 15, 16, 23
Max. No. of Client Connections	16
Max. No. of Server Connections	32
Max. No. of Commands	128
Input Data Size	2048 bytes
Output Data Size	2048 bytes

## PROFIBUS Interface

Industrial Protocols	PROFIBUS DP
No. of Ports	1
Connector	DB9 female
Baudrate	9600 bps to 12 Mbps
Isolation	2 kV (built-in)
Signals	PROFIBUS D+, PROFIBUS D-, RTS, Signal Common, 5V

## PROFIBUS

Rotary Switch	PROFIBUS addresses 0-99 (addresses 100-125 supported through software configuration)
Mode	DP-V0 Slave
Max. No. of Master Connections	1
Max. No. of PROFIBUS I/O Modules	24

Input Data Size	244 bytes
Output Data Size	244 bytes
<b>PROFINET</b>	
Mode	IO Device
Max. No. of IO Controller Connections	1 (for read/write)
Input Data Size	512
Output Data Size	512
<b>EtherNet/IP</b>	
Mode	Adapter
CIP Objects Supported	Identity Message Router Assembly Connection Manager TCP/IP interface Ethernet link Port
Max. No. of Scanner Connections	1 (for read-only), 1 (for read/write)
Input Data Size	496 bytes
Output Data Size	496 bytes
<b>Memory</b>	
microSD Slot	Up to 32 GB (SD 2.0 compatible)
<b>Power Parameters</b>	
Input Voltage	12 to 48 VDC
Input Current	416 mA @ 12 VDC
Power Connector	Spring-type Euroblock terminal
<b>Relays</b>	
Contact Current Rating	Resistive load: 2 A @ 30 VDC
<b>Physical Characteristics</b>	
Housing	Metal
IP Rating	IP30
Dimensions	45.8 x 105 x 134 mm (1.8 x 4.13 x 5.28 in)
Weight	589 g (1.30 lb)
<b>Environmental Limits</b>	
Operating Temperature	MGate 5111: 0 to 60°C (32 to 140°F) MGate 5111-T: -40 to 75°C (-40 to 167°F)
Storage Temperature (package included)	-40 to 85°C (-40 to 185°F)
Ambient Relative Humidity	5 to 95% (non-condensing)

## Standards and Certifications

EMC	EN 61000-6-2/-6-4
EMI	CISPR 32, FCC Part 15B Class A
EMS	IEC 61000-4-2 ESD: Contact: 8 kV; Air: 15 kV IEC 61000-4-3 RS: 80 MHz to 1 GHz: 10 V/m IEC 61000-4-4 EFT: Power: 4 kV; Signal: 4 kV IEC 61000-4-5 Surge: Power: 2 kV; Signal: 2 kV IEC 61000-4-6 CS: 150 kHz to 80 MHz: 10 V/m; Signal: 10 V/m IEC 61000-4-8 PFMF
Safety	EN 62368-1 UL 61010-2-201
Hazardous Locations	ATEX Class I Division 2 IECEX
Freefall	IEC 60068-2-32
Shock	IEC 60068-2-27
Vibration	IEC 60068-2-6 IEC 60068-2-64

## MTBF

Time	718,131 hrs
Standards	Telcordia SR332

## Warranty

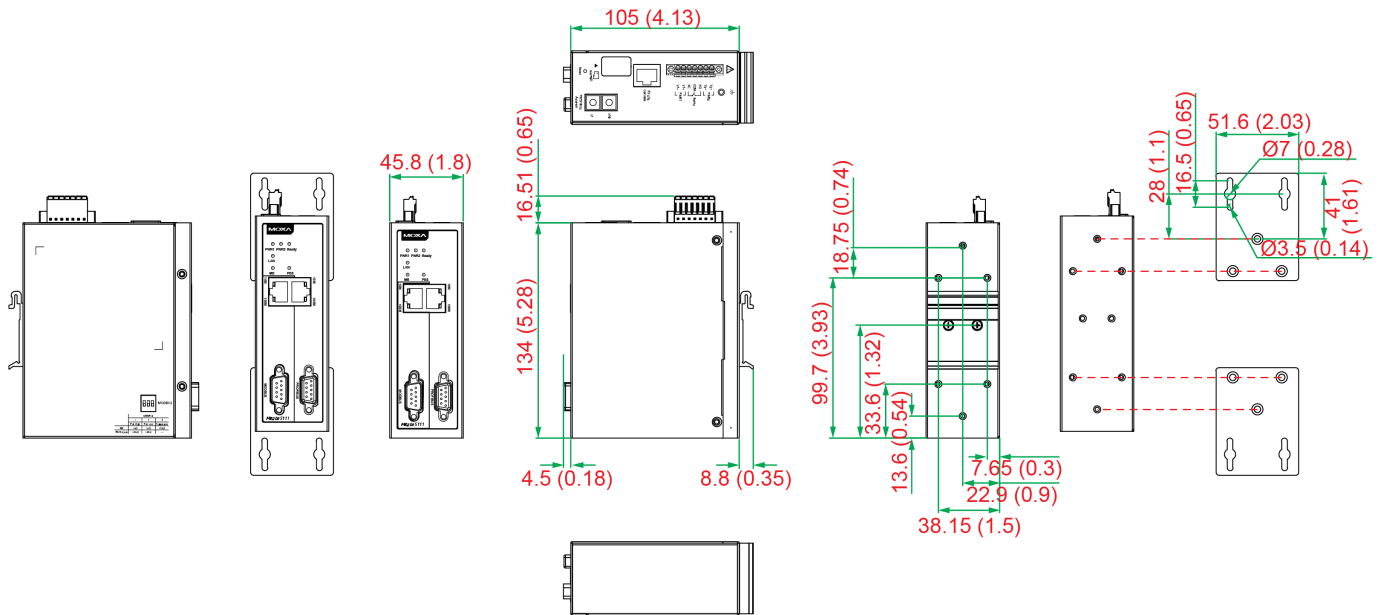
Warranty Period	5 years
Details	See <a href="http://www.moxa.com/warranty">www.moxa.com/warranty</a>

## Package Contents

Device	1 x MGate 5111 Series gateway
Installation Kit	1 x DIN-rail kit
Documentation	1 x quick installation guide 1 x warranty card

## Dimensions

Unit: mm (inch)



## Ordering Information

Model Name	Operating Temp.
MGate 5111	0 to 60°C
MGate 5111-T	-40 to 75°C

## Accessories (sold separately)

### Cables

CBL-F9M9-150	DB9 female to DB9 male serial cable, 1.5 m
CBL-F9M9-20	DB9 female to DB9 male serial cable, 20 cm
CBL-RJ45F9-150	8-pin RJ45 to DB9 female serial cable, 1.5m
CBL-RJ45SF9-150	8-pin RJ45 to DB9 female serial cable with shielding, 1.5m

### Connectors

Mini DB9F-to-TB	DB9 female to terminal block connector
-----------------	--

### Wall-Mounting Kits

WK-51-01	Wall mounting kit with 2 plates (51.6 x 67 x 2 mm) and 6 screws
----------	---

### Power Cords

CBL-PJTB-10	Non-locking barrel plug to bare-wire cable
-------------	--

© Moxa Inc. All rights reserved. Updated Apr 22, 2024.

This document and any portion thereof may not be reproduced or used in any manner whatsoever without the express written permission of Moxa Inc. Product specifications subject to change without notice. Visit our website for the most up-to-date product information.